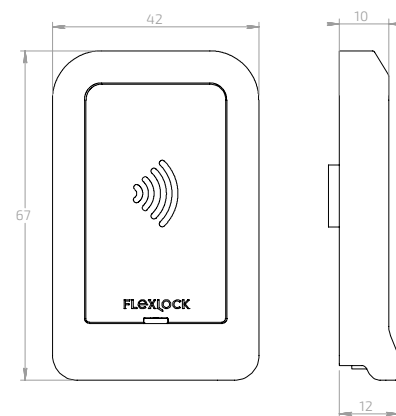
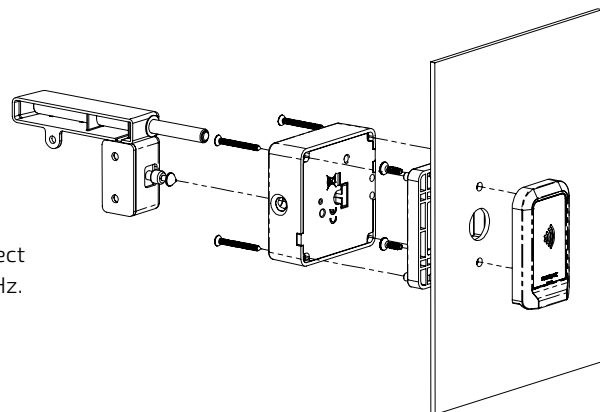




NEW! Flexlock Public

We are now launching a new robust external antenna for public environments. The lock provides opportunity to connect an external power source. Only available for Mifare 13,56 MHz. Delivery start in Q3.

- Stylish, robust, simple solution for safe storage in a public environment.
- Specially developed for use in public environments such as, schools, public spaces and hospitals.
- New stylish external antenna for doors made of sheet metal or wood.
- Possibility of opening with external power source. ALWAYS stays closed when the battery runs out.
- Also available in a version adapted for Flexlock Smart, control with mobile phone.
- New variant of Flexlock Invisible Mifare.
- LED indicator that shows free storage.
- Manages thickness of cabinet doors 0.5–20 mm.



| ART. NO. | PRODUCT | |
|----------|------------------------|--|
| 372025 | Flexlock Public Mifare | Lock incl. External antenna |
| 372025-S | Flexlock Public Smart | Lock incl. External antenna with Smart module (launches in Q3) |