
LOGIClink

Manual



CONTENTS

1. Safety	5
1.1 General safety regulations and obligations	5
1.2 Qualified persons	5
1.3 Liability	6
2 Product description	8
2.1 Intended use.....	8
2.2 Compatibility.....	9
3. Installation	11
3.1 Assembly	11
3.2 System setup with standard cable	13
4 Operation	21
4.1 Adjust table height	21
4.2 Restart.....	21
5. APP and API	22
5.1 Bluetooth pairing.....	22
6. Maintenance	22
7. Disassembly and disposal	23

1. SAFETY

1.1 General safety regulations and obligations

In general, the following safety regulations and obligations apply when handling the product:

- The product may only be operated in a clean and perfect condition.
- Do not remove, change, bridge or bypass any protection, safety or monitoring equipment.
- Do not convert or modify the product without written approval from Swedstyle.
- In the event of malfunction or damage, the product must be replaced immediately.
- Repairs are prohibited. Defective products are to be replaced as a whole.
- Hardware replacement or changes to the system configuration are only allowed in a de-energized state.
- Only qualified persons are allowed to work on the product.
- For the operation of the system, the national worker protection conditions and the national safety and accident prevention regulations apply.

1.2 Qualified persons

Products from Swedstyle may only be installed and commissioned by qualified persons who are authorized for installation planning, installation, commissioning or maintenance/servicing and who have read and understood the product documentation.

Qualified persons have the necessary expertise to test, assess and manage electrical and mechatronic products and systems in accordance with the generally accepted standards and guidelines of electrical engineering and furniture manufacturing through their education, work experience and recent professional activity. They know and adhere to the basic regulations on occupational safety and accident prevention and the basic norms and specialist standards applicable to the specific application.

All safety standards and guidelines relevant to the application must be taken into account. The furniture manufacturer performs a safety assessment of the entire system and is responsible for the certification of the entire system.

1.3 Liability

The information in this documentation describes the properties of the products without guaranteeing them. The products satisfy current state of the art standards as well as the applicable health and safety regulations. Nevertheless, dangers can result from incorrect operation or misuse. Swedstyle is not liable for damages caused by:

- Improper use of the products
- Disregard of the documentation
- Unauthorized changes to the products
- Improper work on and with the product
- Operation of a product, although it is damaged
- Wear parts
- Improperly performed repairs
- Unauthorized, improper change of operating parameters
- Disasters, external influence and force majeure

Responsible for the LOGICDATA products in the specific application and compliance with the relevant directives, standards and laws is the manufacturer of the height-adjustable tables in which the LOGICDATA products are installed. Swedstyle shall not be held liable for any damage that is directly or indirectly attributable to the delivery, performance or use of this document.

2. PRODUCT DESCRIPTION

LOGIClink is a connectivity hub for intelligent, electrically height-adjustable desks. The product is available in two variants – Personal and Corporate. LOGIClink has a presence sensor, a status LED, control buttons for use as a hand switch, Bluetooth, NFC and USB. The Corporate version is also WiFi-enabled.



FIG 1: PRODUCT OVERVIEW

2.1 Intended use

LOGIClink is an electrical appliance for home use. It may only be used in dry indoor areas and according to the product description. **The setup location must be level, vibration-free and free from dirt, dust, etc. Ensure that there is no excessive exposure to dust or toxic or corrosive gases and vapors or excessive heat at the setup location.**

This device may be used by children 8 years old and over, and by persons with reduced physical, sensory or mental abilities, or lack of experience and knowledge, if they are supervised or have been instructed in the safe use of the device and understand the resulting hazards. Do not allow children to play with the device. Do not allow children to perform the cleaning without supervision.

After the mechatronic system has been built into a table, the table manufacturer is responsible for risk analysis and evaluation of the entire table and for creating the user documentation.

2.2 Compatibility

LOGIClink is compatible with the following products from LOGICDATA:

Controllers

Compact-e, SMART-e and SMARTneo.

The COMPACT-e+ and SMART-e+ controllers are not compatible and must never be connected.

Hand switch (only allowed in conjunction with the RetroFit cable)

TOUCHbasic-down, TOUCHbasic-inlay, TOUCHfx, TOUCHinlay and TOUCHdown.

3. INSTALLATION

The table system may only be assembled by qualified persons. The workplace must be clean, dry and ESD-protected.



CAUTION. Pay attention to ESD-compliant handling. Errors that can be attributed to electrostatic discharge will void warranty claims.

3.1 Assembly

You also need:

- Mounting screws suitable for your table top. The mounting opening consists of mounting holes
- Pen for marking the drill holes
- Drill
- Screwdriver suitable for screwing in your mounting screws

Procedure:

1. Mark the drill holes on the underside of the table top. Please note that the status LED on the front edge of the table is visible and that LOGIClink requires at least 5 cm clearance to metal parts and cables on all sides.
2. Drill the holes as indicated in Fig. 2.
3. Attach LOGIClink using the mounting screws.

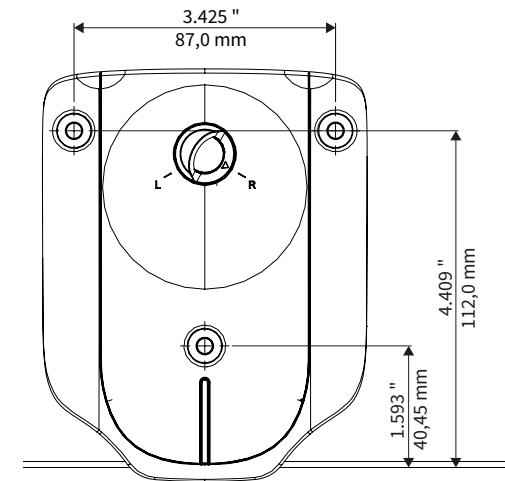


FIG 2: DRILL HOLES



NOTICE. We recommend installing LOGIClink at a distance of approx. 70 cm from the user.

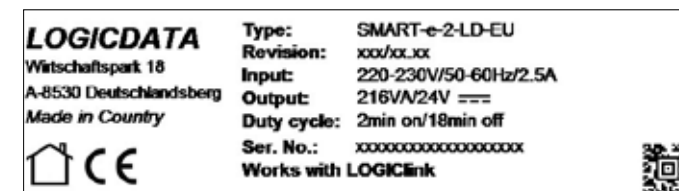


FIG 3: MOUNT LOGICLINK

3.2 System setup with standard cable

Use this system setup for the following configuration:

- LOGIClink is used as the only control element.
- No additional hand switch is connected.
- The type plate of the controller has Works with LOGIClink printed on it.



Standard cable

The standard cable has 2 connectors:

- DIN (is plugged into the hand switch socket of the control)
- 10-pin minifit (LOGIClink)



FIG. 4: STANDARD CABLE
LOG-CBL-LOGICLINK-CB-STANDARD

System overview

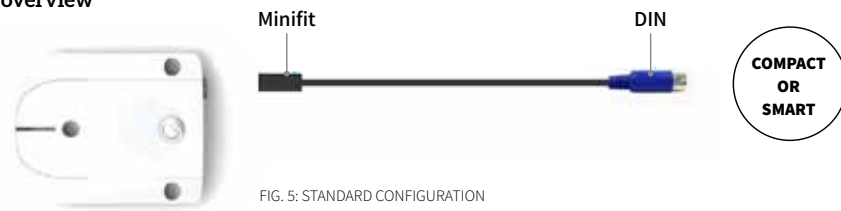


FIG. 5: STANDARD CONFIGURATION

Assemble system

1. Plug the minifit plug of the standard cable into the LOGIClink. Fig. 6.
2. Lay and secure the cable along the table to the controller.



FIG. 6: PLUG MINIFIT INTO LOGICLINK

3. Connect the blue DIN plug to the controller's hand switch socket (marked *HS* on the housing).
4. Plug the mains cable into the controller.
5. Finally, plug the mains cable into the power outlet. Fig 7, 8 and 9.



FIG. 7: CONNECTION TO SMARTNEO CONTROLLER



FIG. 8: CONNECTION TO COMPACT CONTROLLER



FIG. 9: CONNECTION TO SMART CONTROLLER

4. OPERATION

4.1 Adjust table height

Press the UP or DOWN button on the bottom of LOGIClink to adjust the table height.

4.2 Restart

To restart LOGIClink, press and hold the restart button for 5 seconds.

5. APP AND API

The SwedMotion app (available in the Apple App Store and Google Play Store) stores personal workplace settings so they are immediately available after a table change. The app can track how much time the user spends sitting and standing. This permits personal recommendations to be derived from this, for example. Optionally, LOGIClink also includes a programming interface (API) to help you develop apps for your visions.

5.2 Bluetooth pairing

1. Download the SwedMotion app for free from the Play Store or App Store.
Google/Android: Play Store
Apple/iOS: App Store
 2. Double-click the restart button on the LOGIClink to start Bluetooth pairing.
 3. Enter the pairing data. 000000 (6 zeros).
-

6. MAINTENANCE

The LOGIClink control element is maintenance-free for its entire service life. If cleaning is necessary, wipe off LOGIClink with a soft, dry cloth.

7. DISASSEMBLY AND DISPOSAL

How to disassemble LOGIClink

1. Disconnect the power supply of the table.
2. Disconnect all cables.
3. Unscrew the three mounting screws that attach LOGIClink to the table top.
4. Dispose of all parts in course of the final decommissioning in an environmentally sound and unmixed manner.

Disposal



The LOGIClink is an electrical and electronic device that must be disposed of separately from household waste according to the WEEE Directive 2012/19/EU. The products are marked with the symbol shown on the left.

Before disposing of materials and components, check their recyclability. Recycle as many parts as possible. Dispose of all materials and parts in accordance with your local guidelines and regulations. Ensure that the disposal is lastingly compatible for humans and nature.

Smart office solutions

Swedstyle AB.

Box 171, SE-567 24 Vaggeryd, Sweden

info@swedstyle.se

+46 393-363 60

www.swedstyle.com

