



Swedstyle Motion S

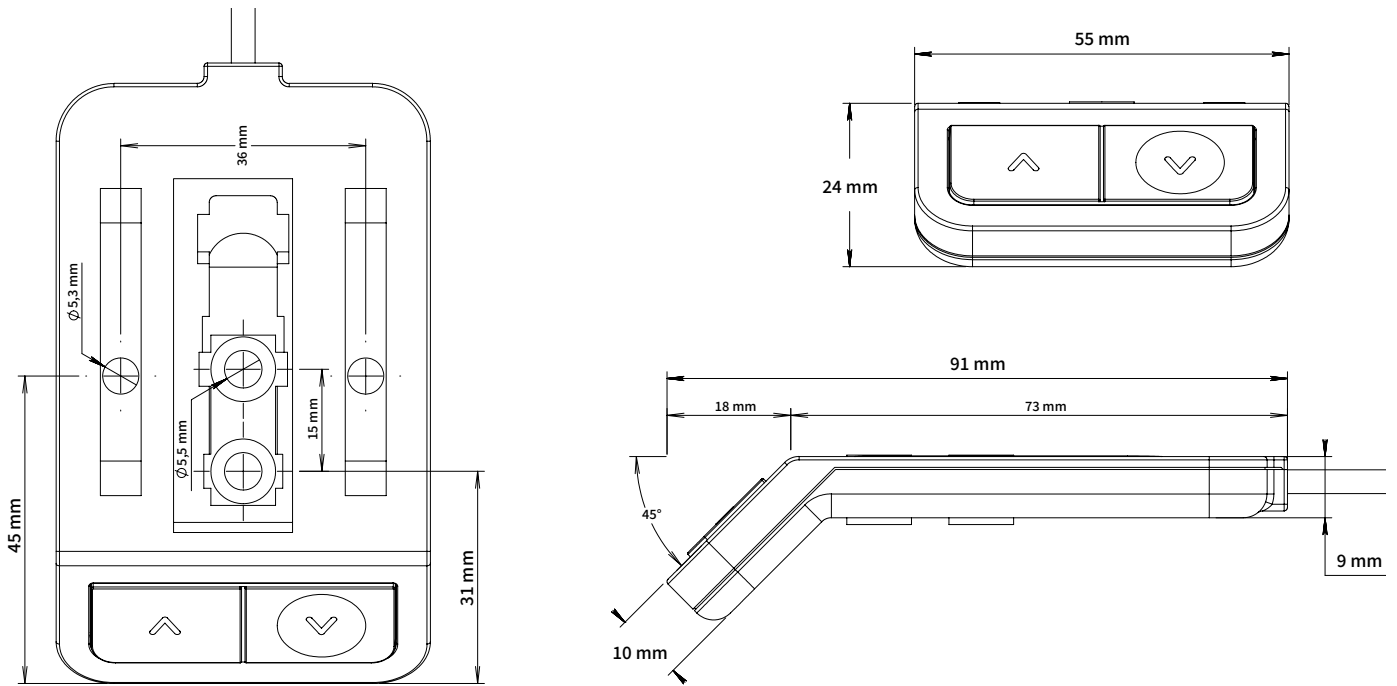
Simple, elegant hand controller for controlling height-adjustable desk frames.

The Swedstyle Motion hand controller offers compact design with large and comfortable rubber-coated buttons for precise control. This hand controller features an ergonomic layout and is extremely reliable. Storable underneath the table top, fixed or easy access thanks to sliding function. Easy to mount using the screws supplied.

- Compact design
- Ergonomic layout
- Perfect button feeling
- Intuitive handling
- Fixed mounting or Slide-in function



PRODUCT	ART. NO	COLOUR
Swedstyle Motion S	HAND01	Black



Technical specifications

Supply voltage	5 V DC \pm 200 mV
Service life	10 000 cycles
Cable length	2 000 mm (\pm 40 mm)
Dimensions (L x W x H)	91 x 55 x 24 mm
Weight	40 g
Ambient conditions during operation	+5 °C to +40 °C at max. 68% relative air humidity (non-condensing), up to an altitude of 2,000 m.
Ambient conditions during transport and storage	-25 °C to +40 °C at max. 68% relative air humidity (non-condensing). +40 °C to 60 °C at max. 32% relative air humidity (non-condensing). Temperatures of more than 40 °C for periods not exceeding 10h. Product must be acclimatised to acceptable operating conditions before assembly.
Compatibility	All Swedstyle electric height-adjustable frames
Degree of protection (IEC 60529)	IP 20
Standards and regulations	RoHS directive 2011/65/EU