

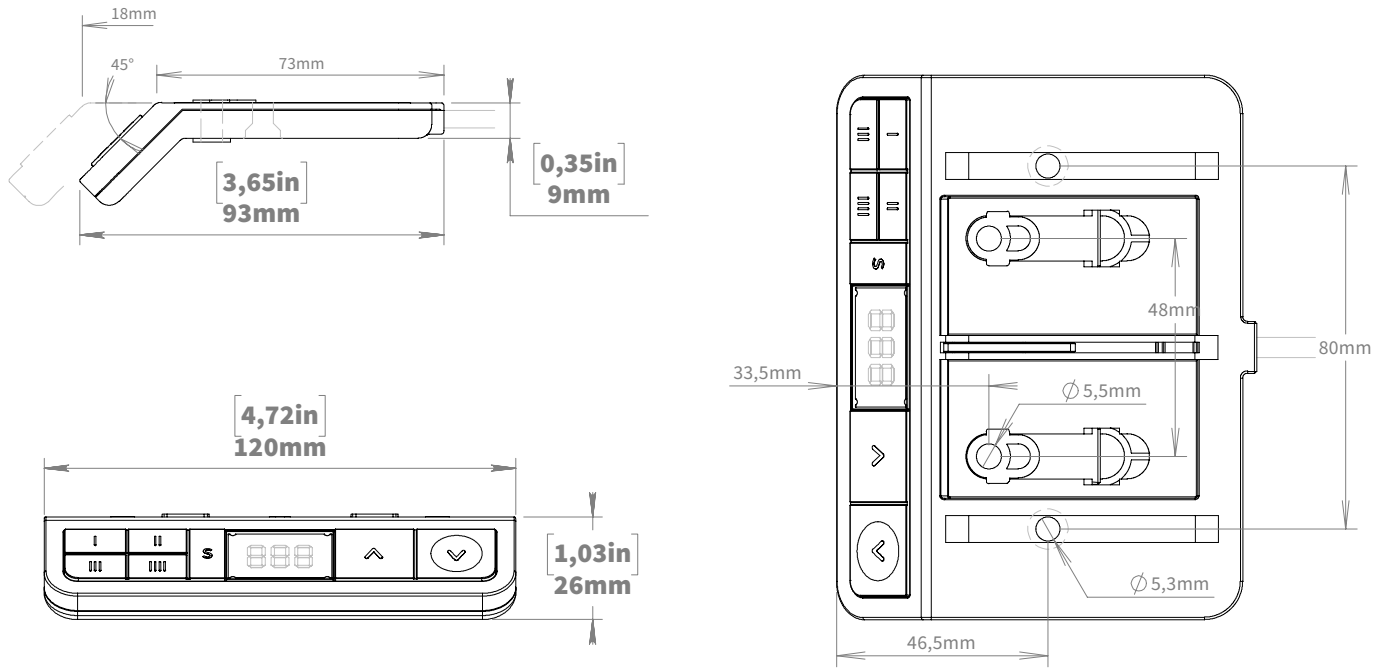


Swedstyle Memory S

Hand controller for comfortable control of height-adjustable desk frames featuring an ergonomic layout.

Hand control mounted on the underside of the desk with supplied screws. Three-digit display that makes it easy to read the settings. Soft buttons for comfortable movement control. Possible to save up to 4 positions to easily and quickly find your way back to the optimal settings. Sliding function.

- Compact design
- Ergonomic layout
- Available with your own logo
- Storable underneath the table top
- Save up to four positions
- 3-digit display



Technical specifications

Supply voltage	5 VDC \pm 10%
Current Consumption (average)	75 mA
Service life	>10 000 cycles
Cable length	2 070 mm (\pm 50 mm)
Dimensions (L x W x H)	93 \times 120 \times 26 mm
Ambient conditions during operation	+5 °C to +40 °C at max. 68% relative air humidity (non-condensing), up to an altitude of 2,000 m.
Ambient conditions during transport and storage	-25 °C to +40 °C at max. 68% relative air humidity (non-condensing). +40 °C to 60 °C at max. 32% relative air humidity (non-condensing). Temperatures of more than 40 °C for periods not exceeding 10h. Product must be acclimatised to acceptable operating conditions before assembly.
Compatibility	All Swedstyle electric height-adjustable frames
Degree of protection (IEC 60529)	IP 20
Standards and regulations	EMC directive 2014/30/EU RoHS directive 2011/65/EU