










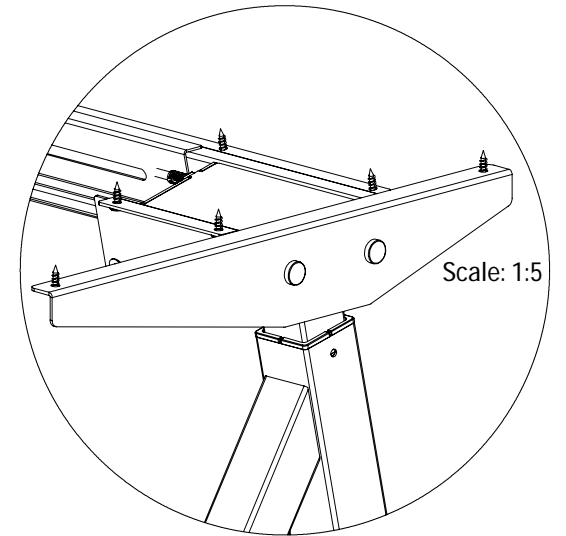
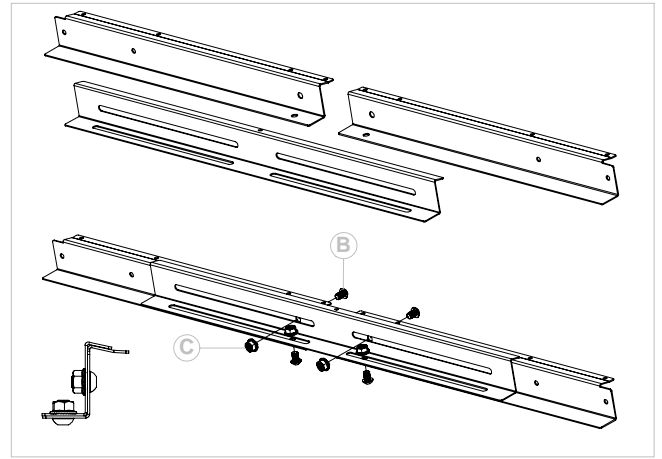
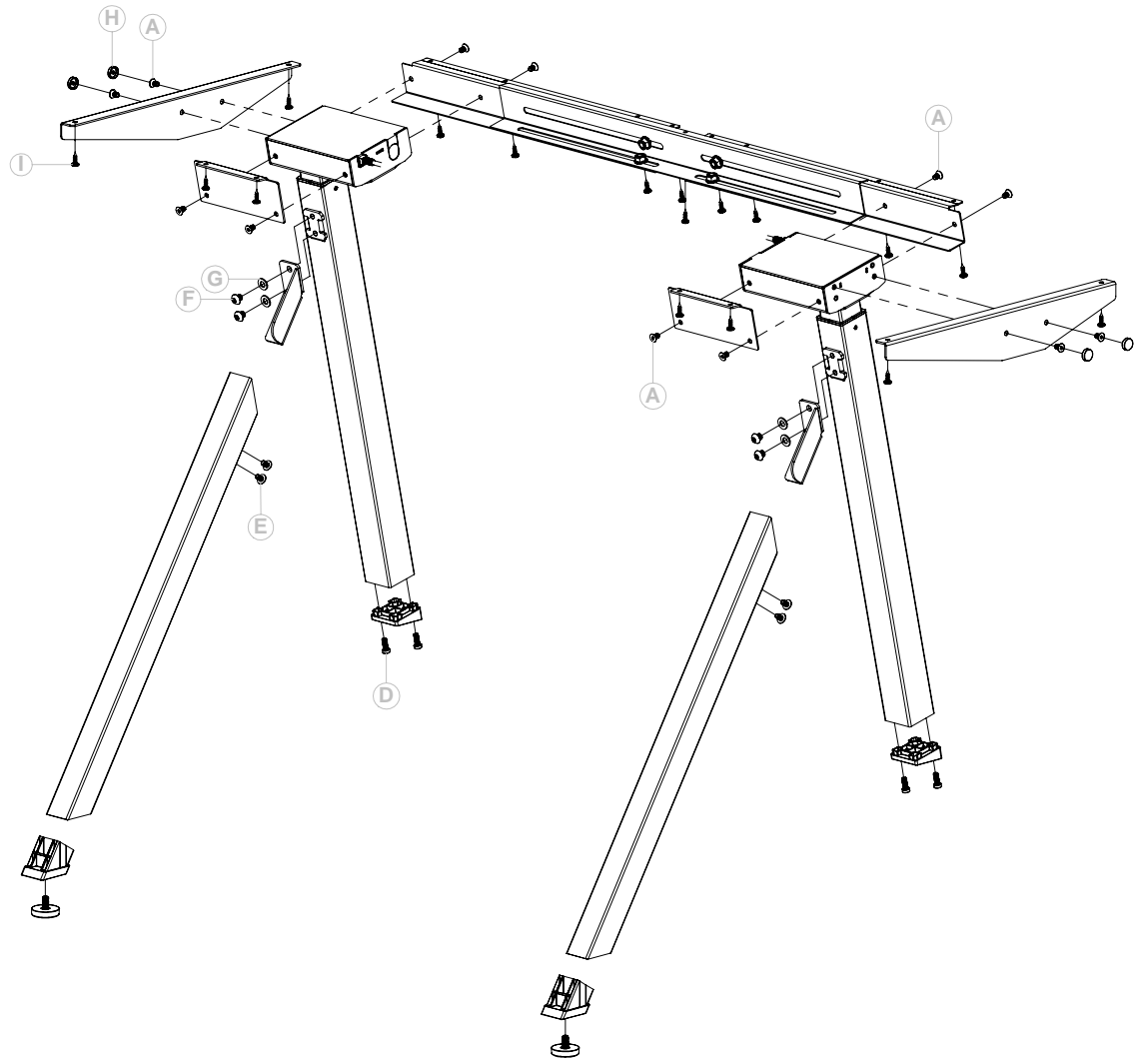


-  **A** x12
M6x10
-  **B** x4
M8x12
-  **C** x4
M8
-  **D** x4
M6x16
-  **E** x4
M6x10
-  **F** x4
M8x8
-  **G** x4
Washer
-  **H** x4
Cover plug
-  **I** x19
5x16
(table top / control box)
- hand control**
-  4x16 x2
-  4,5x20 x2



Revolution Y-2M

Article no. 5190xx
Scale: 1:10