







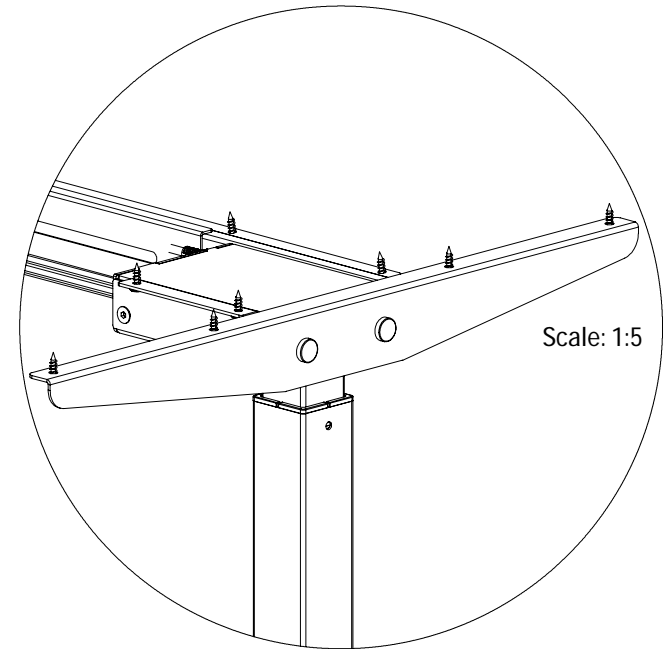
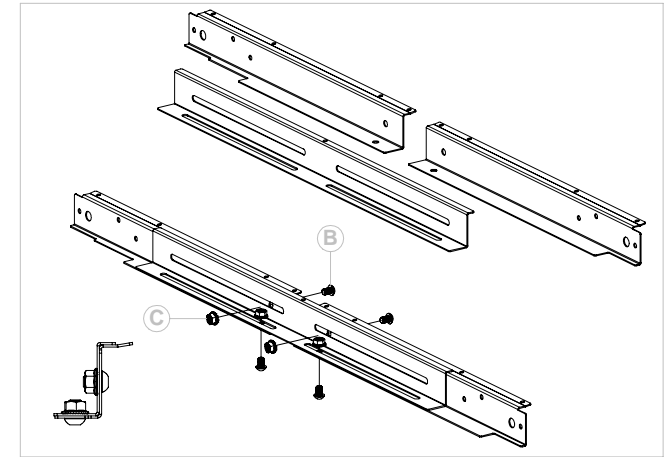
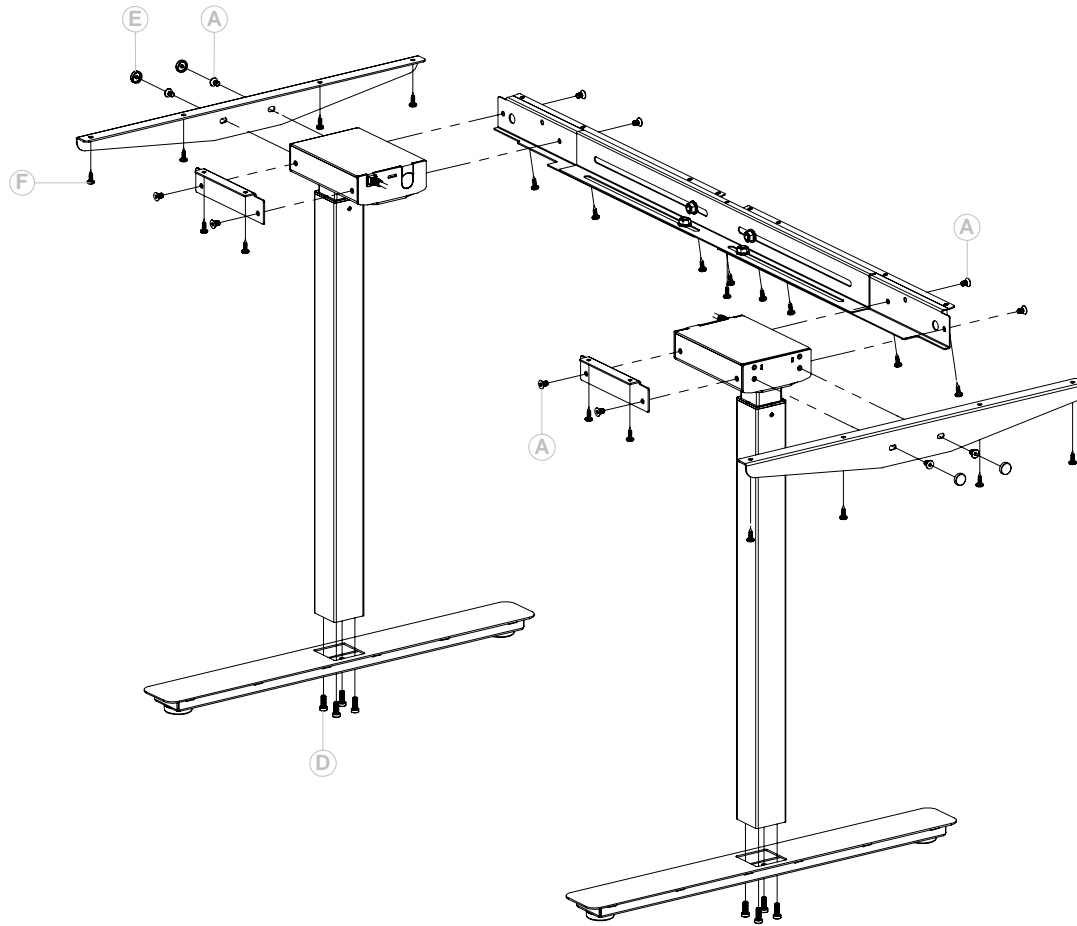


-  **A** x12
M6x10
-  **B** x4
M8x12
-  **C** x4
M8
-  **D** x8
M6x16
-  **E** x4
Cover plug
-  **F** x23
5x16
(table top / control box)
- hand control
 -  4x16 x2
 -  4,5x20 x2



Revolution T-2M

Article no. 5192xx
Scale: 1:10