





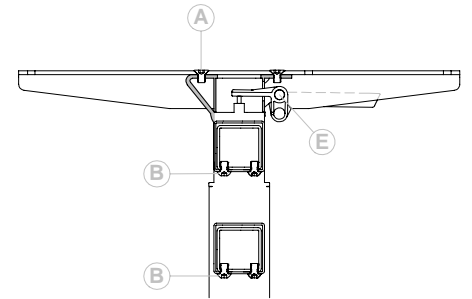
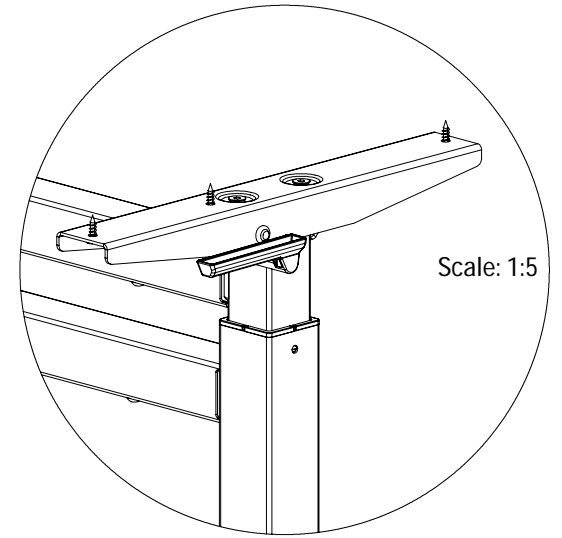
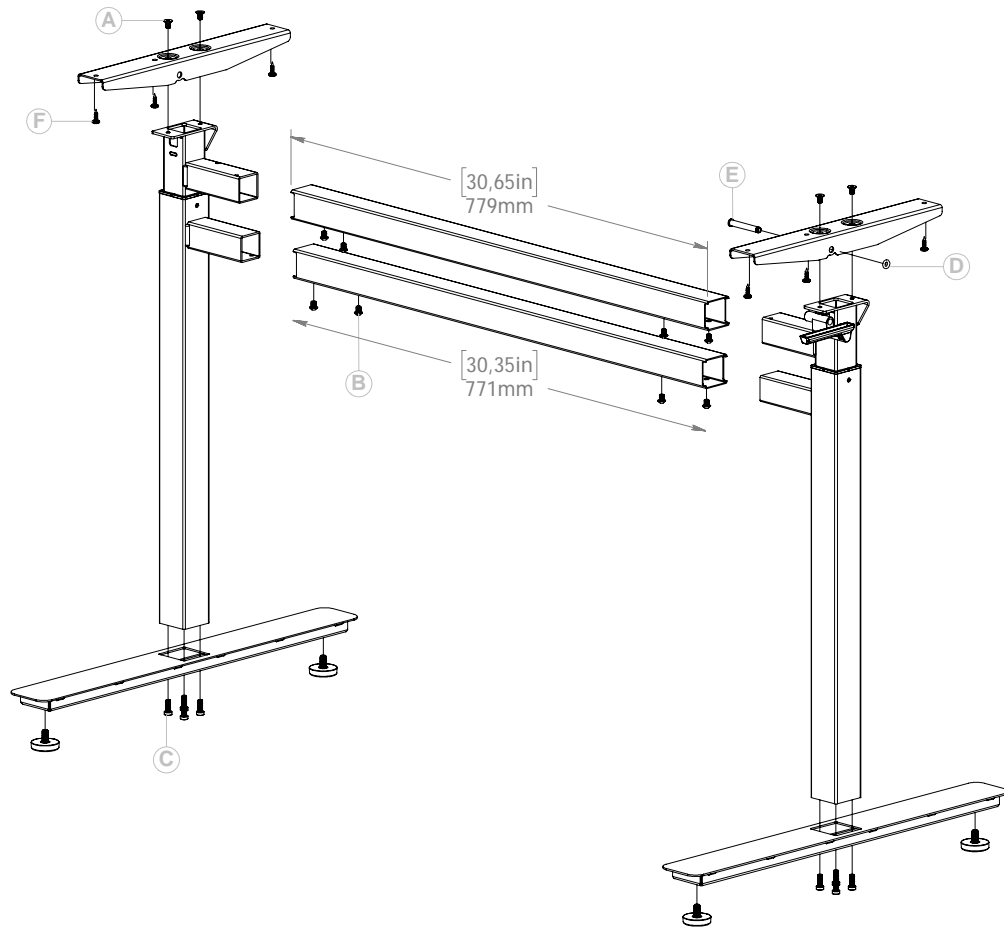


-  **A** x4
M6x10
-  **B** x8
M6x8
-  **C** x8
M6x16
-  **D** x1
O-ring
-  **E** x1
Shaft
-  **F** x6
5x16



Revolution T-G

Article no. 5195xx

Scale: 1:10