



Swedstyle Screen Holder Twin

A desk screen is an easy way to create a personal space and privacy, even in the most open office landscape.

Screen holder for mounting a fixed height desk screen. Only suitable for the TWIN frame. Available in our standard colors silver, white and black.

Art. no	Colour
SKARMTW08	Silver
SKARMTW40	Black
SKARMTW25	White

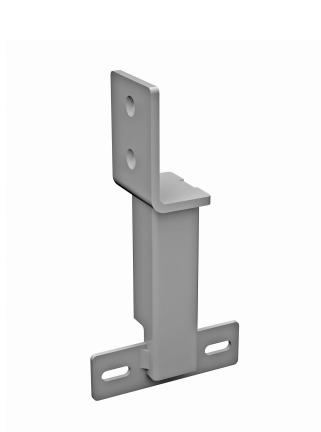


2026-04-28

Technical specifications

Swedstyle Screen Holder

Twin



Specification	Value
---------------	-------